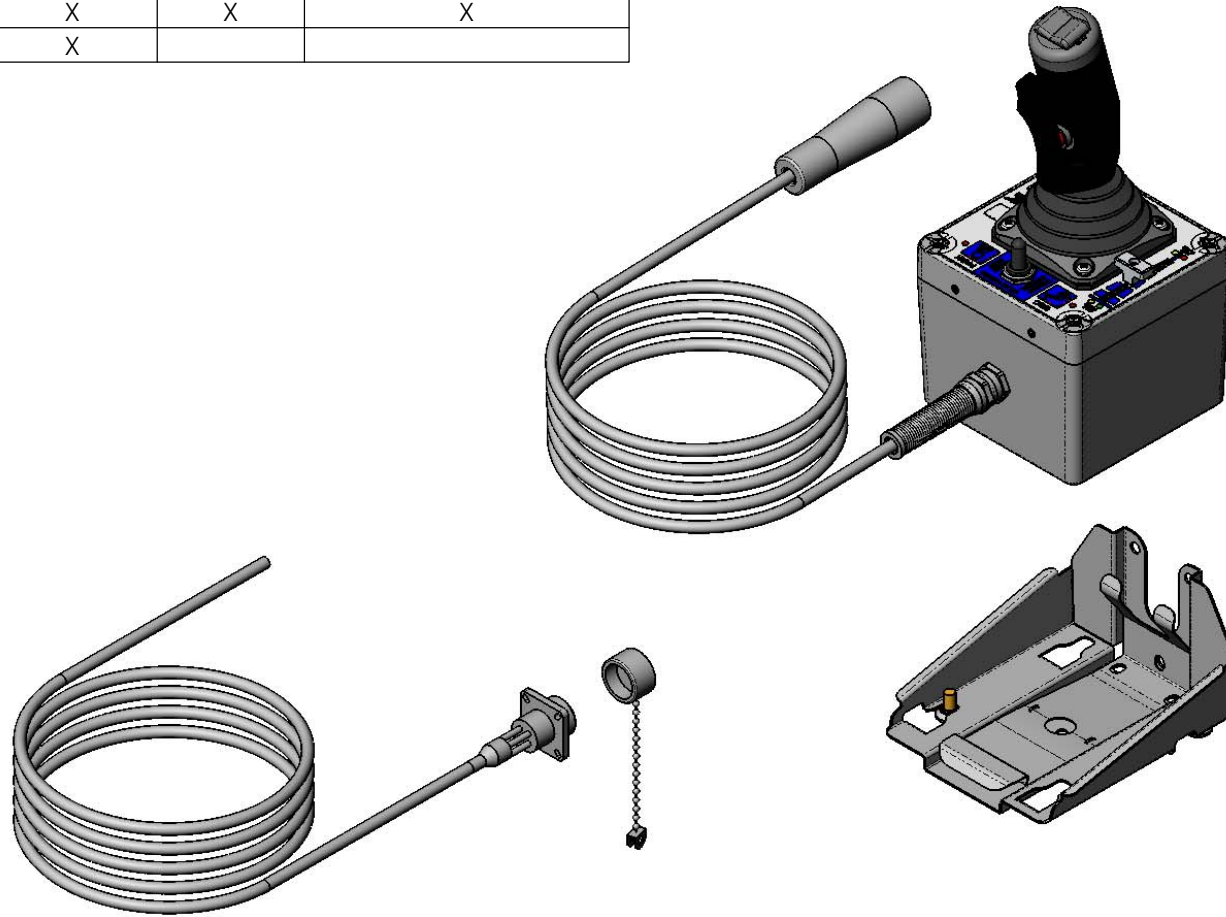



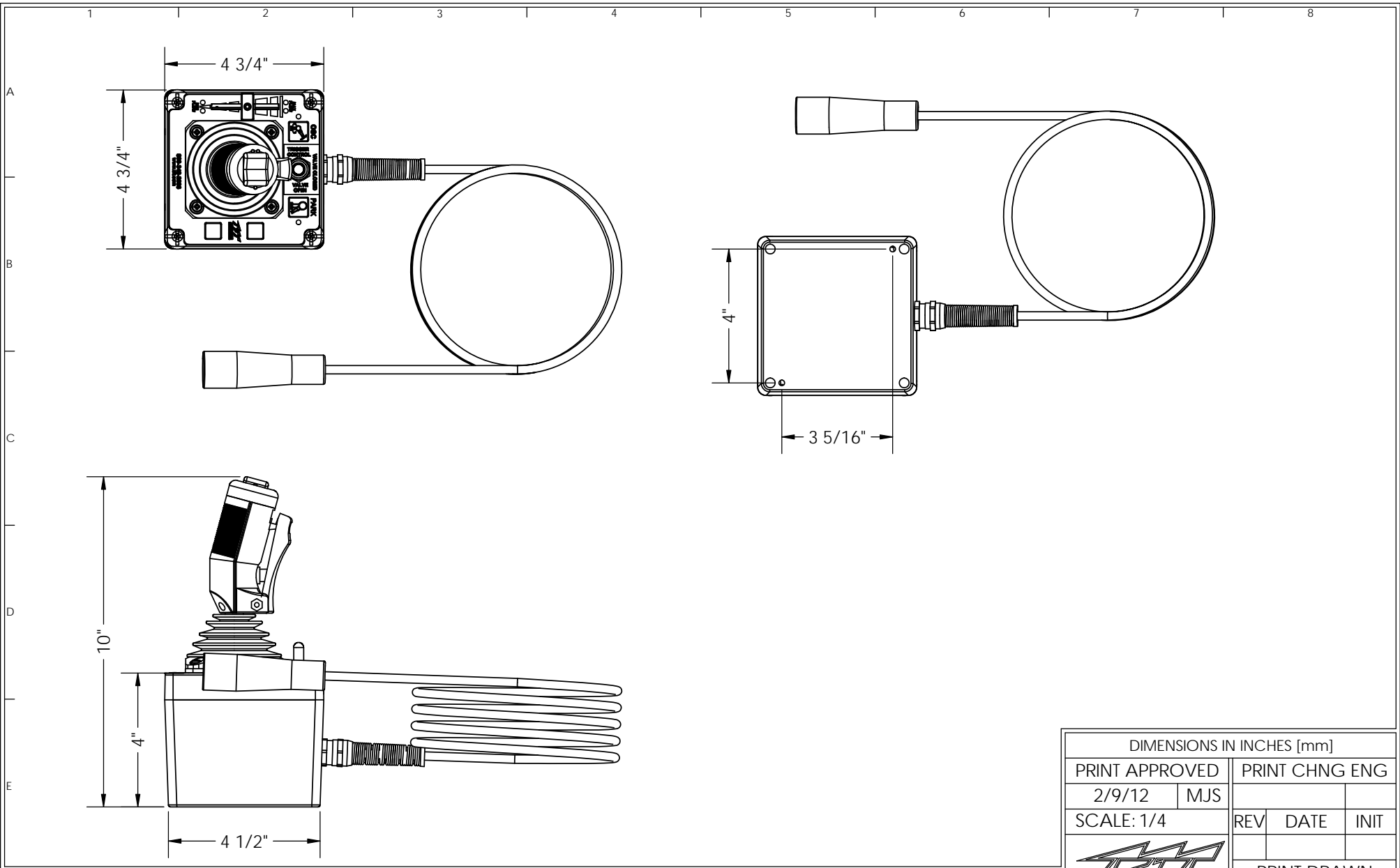
	BRACKET	PLUG	RECEPTACLE SUBASSY
Y4E-JS-GT	X	X	
Y4E-JS-GT-R	X	X	X
Y4E-JS-GT-NP	X		




DIMENSIONS IN INCHES [mm]			
PRINT APPROVED		PRINT CHNG ENG	
2/9/12	MJS		
SCALE: 1/4		REV	DATE INIT
 TASK FORCE TIPS, INC. 3701 INNOVATION WAY VALPARAISO, IN 46383 USA (219)462-6161		PRINT DRAWN	
		12/7/11 SJF	
		DESIGN ENGINEER	
		<i>Steven J. Ferry</i>	

ITEM: Y4E-JS-GT-NP	SHEET 1 of 3	DESCR: JOYSTICK OPERATOR STATION
ITEM: Y4E-JS-GT-R	SHEET 1 of 3	DESCR: JOYSTICK OPERATOR STATION
ITEM: Y4E-JS-GT	SHEET 1 of 3	DESCR: JOYSTICK OPERATOR STATION

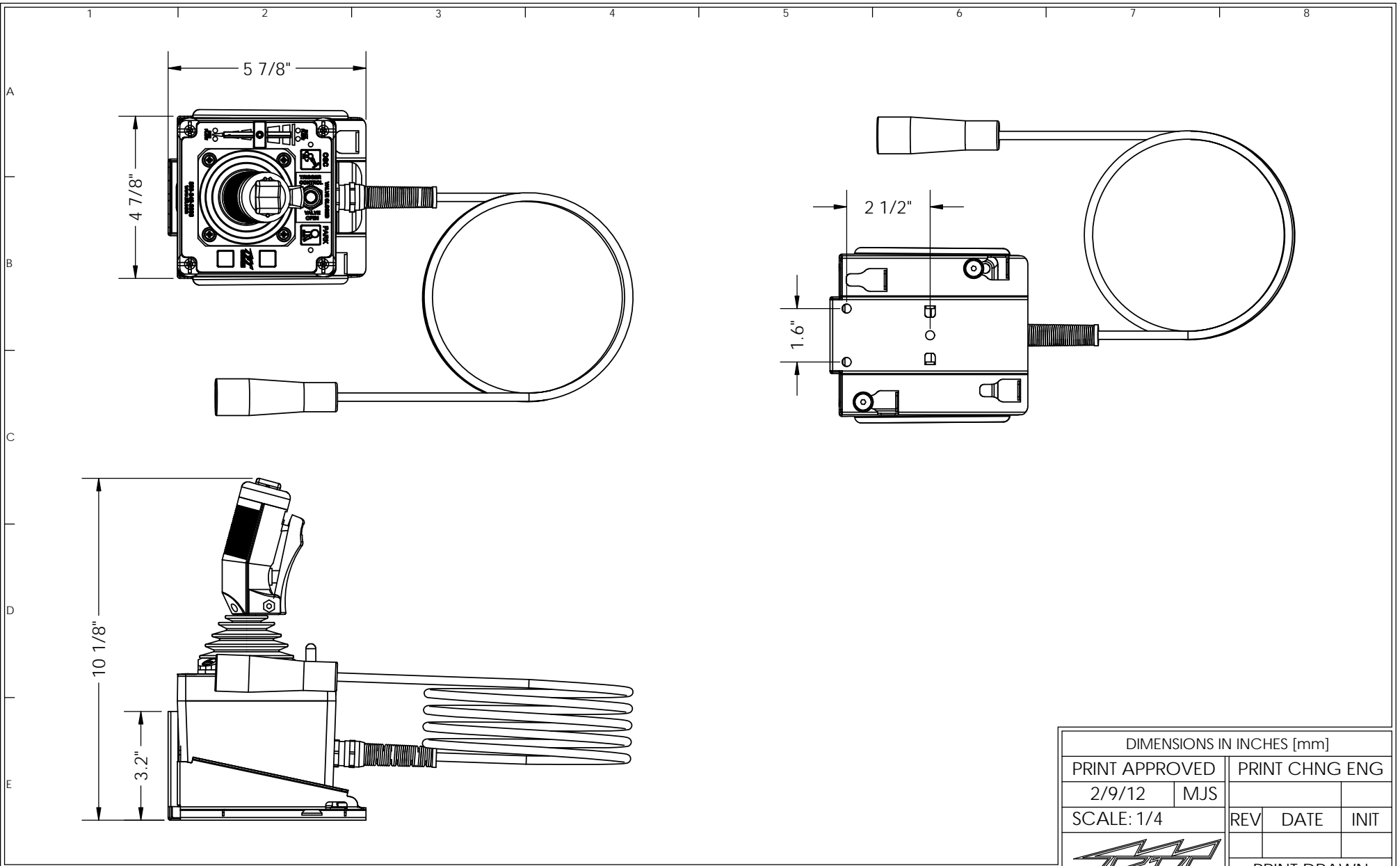
EXTRA DESCR: GATEABLE VALVE CTRL WITH PLUG




DIMENSIONS IN INCHES [mm]			
PRINT APPROVED		PRINT CHNG ENG	
2/9/12	MJS		
SCALE: 1/4		REV	DATE
			INIT
 TASK FORCE TIPS, INC. 3701 INNOVATION WAY VALPARAISO, IN 46383 USA (219)462-6161		PRINT DRAWN	
		12/7/11	
		SJT	
		DESIGN ENGINEER	
		<i>Steven J. Ferry</i>	

ITEM: Y4E-JS-GT-NP	SHEET 2 of 3	DESCR: JOYSTICK OPERATOR STATION
ITEM: Y4E-JS-GT-R	SHEET 2 of 3	DESCR: JOYSTICK OPERATOR STATION
ITEM: Y4E-JS-GT	SHEET 2 of 3	DESCR: JOYSTICK OPERATOR STATION

EXTRA DESCR: GATEABLE VALVE CTRL WITH PLUG



DIMENSIONS IN INCHES [mm]			
PRINT APPROVED		PRINT CHNG ENG	
2/9/12	MJS		
SCALE: 1/4		REV	DATE INIT
 TASK FORCE TIPS, INC. 3701 INNOVATION WAY VALPARAISO, IN 46383 USA (219)462-6161			
		PRINT DRAWN	
		12/7/11	SJF
		DESIGN ENGINEER	
		<i>Steven J. Ferry</i>	

ITEM: Y4E-JS-GT-NP	SHEET 3 of 3	DESCR: JOYSTICK OPERATOR STATION
ITEM: Y4E-JS-GT-R	SHEET 3 of 3	DESCR: JOYSTICK OPERATOR STATION
ITEM: Y4E-JS-GT	SHEET 3 of 3	DESCR: JOYSTICK OPERATOR STATION

EXTRA DESCR: GATEABLE VALVE CTRL WITH PLUG