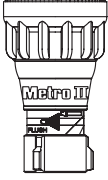
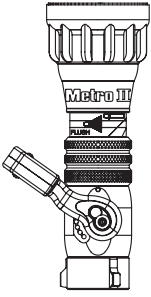
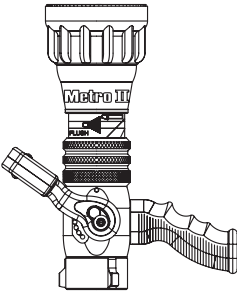


1.5" (38mm) METRO 2 SERIES
Fixed Gallonage

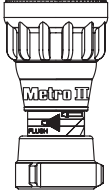
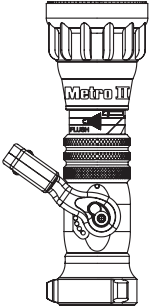
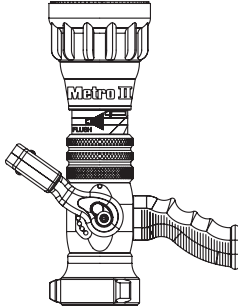
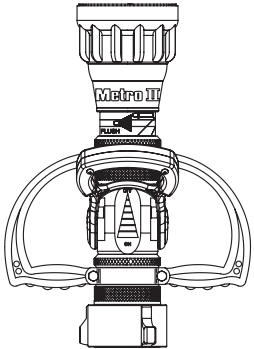
FoamJet Models for METRO 2 Series
FJ-HM & FJ-HMX

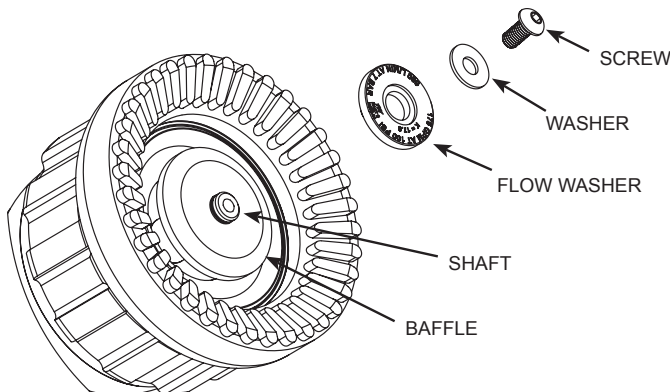
1.5" Fixed Gallonage Nozzles With 10 Flow and Pressure Choices				
	Nozzle Tip Only	Nozzle w/ Shutoff	Nozzle w/Shutoff & Pistol Grip	
	100 psi NH Threads Fixed Teeth	ME2-TO	ME2-V	ME2-VPGI
	100 psi NPSH Threads Fixed Teeth	ME2-TO-IF	ME2-V-IF	ME2-VPGI-IF

The nozzle package includes these calibrated flow discs.

100 psi 7 bar	75 psi 5 bar	50psi 3 bar
325 gpm 1230 l/min		
250 gpm 950 l/min	250 gpm 950 l/min	250 gpm 950 l/min
	200 gpm 750 l/min	
	185 gpm 700 l/min	185 gpm 700 l/min
175 gpm 660 l/min		
	125 gpm 475 l/min	
95 gpm 360 l/min		

2.5" (65mm) METRO 2 SERIES
Fixed Gallonage

2.5" Fixed Gallonage Nozzles With 10 Flow and Pressure Choices					
	Nozzle Tip Only	Nozzle w/Shutoff	Nozzle w/Shutoff & Pistol Grip	Nozzle w/Shutoff & Playpipe Grip	
	100 psi NH Threads Fixed Teeth	ME2-2TO	ME2-2V	ME2-2VPGI	ME2-BLITZ
	100 psi NPSH Threads Fixed Teeth	ME2-2TO-IJ	ME2-2V-IJ	ME2-2VPGI-IJ	ME2-BLITZ-IJ



The flow washers are marked with various flow settings. Change flow washer to the desired setting. The nozzle will flow the indicated amount when the pressure at the nozzle is at the indicated level.