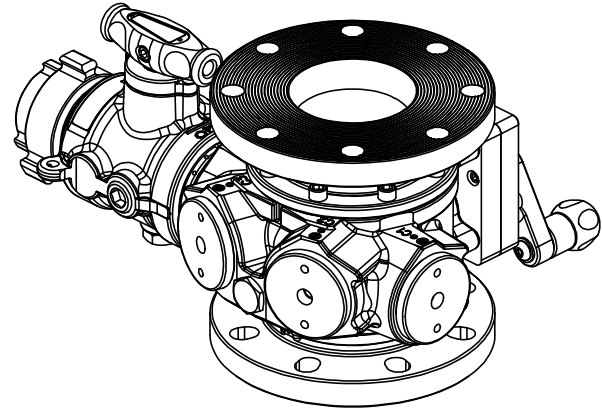
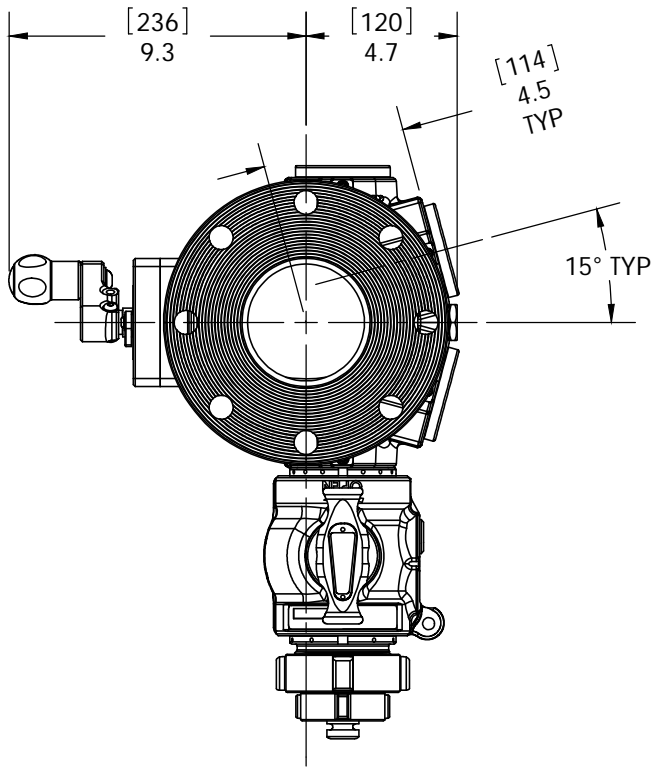


1 2 3 4 5 6 7 8

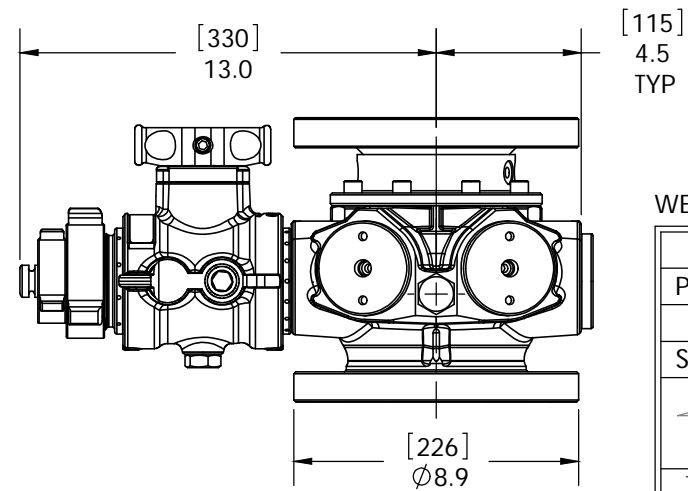
A



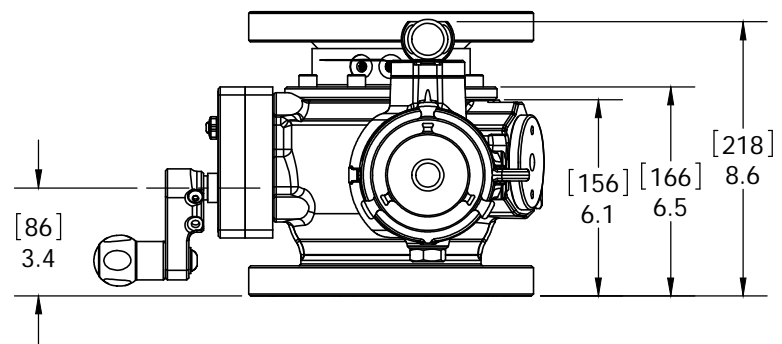
B

C


D



E



WEIGHT: 34.0 LBS

| DIMENSIONS IN INCHES [mm] | | | |
|--|------|--------------------|------|
| PRINT APPROVED | | PRINT CHNG ENG | |
| 1/3/11 | MJGL | | |
| SCALE: 1/6 | | REV | DATE |
|  TASK FORCE TIPS, INC. 3701 INNOVATION WAY VALPARAISO, IN 46383 USA (219)462-6161 | | INIT | |
| | | PRINT DRAWN | |
| | | 10/16/09 | MAS |
| | | DESIGN ENGINEER | |
| | | Alex C. Yovanovich | |

ITEM: AKP11114D

SHEET
1 of 1

DESCR: V.U.M. PS 4"ANSI X CODE-RPM W/DRAIN

EXTRA DESCR: C4-STRAIGHT_VALVE

TFT_APRUST.SLDDR1