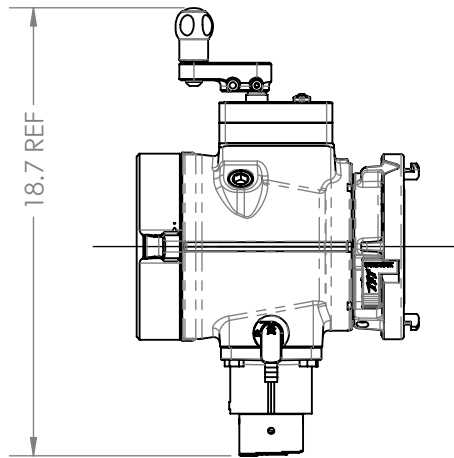
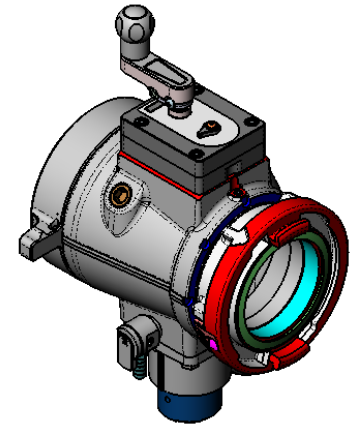
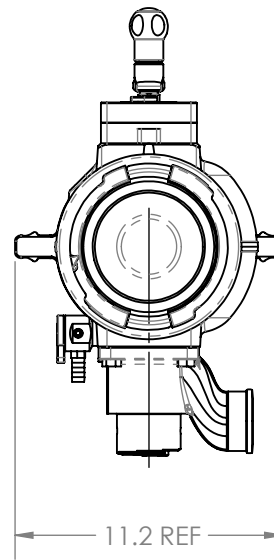



11.8 REF



18.7 REF



11.2 REF

DIMENSIONS IN INCHES [mm]				
PRINT APPROVED		PRINT CHNG ENG		
2/6/14	LRS			
SCALE: 1/8X		REV	DATE	INIT
 TASK FORCE TIPS, INC. 2800 E. EVANS AVE. VALPARAISO, IN 46383 (219)462-6161		PRINT DRAWN		
		2/4/14		CPW
		DESIGN ENGINEER		
		Dave Kolacz		

ITEM: AP1ST-NX-PS

SHEET  
1 of 1

DESCR: JUMBO BIV SHORT 5.0"STORZ RIGID X 6.0"

EXTRA DESCR: SHAFT ON TOP